

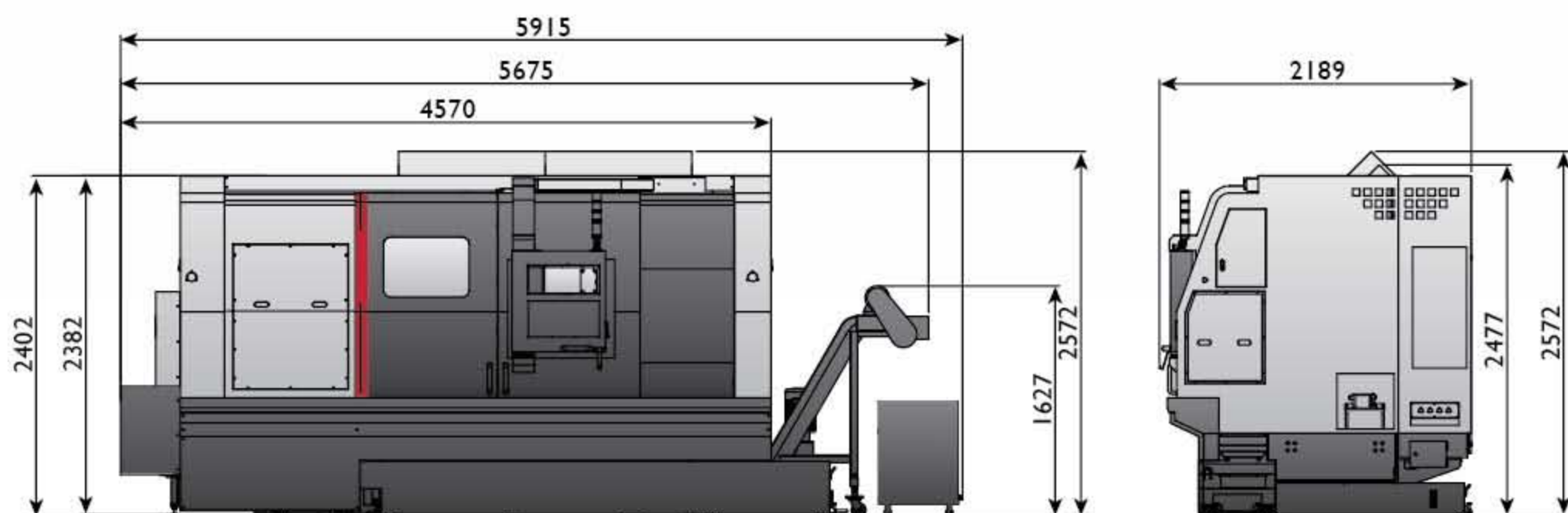
LATHES

ML-850



- FANUC 0i-TD controller + 8.4" color LCD + manual guide 0i
- FANUC spindle motor ai22/7000 (22/26kW)
- FANUC servo motor X/Z: aiF22/3000 (4 / 4 KW)
- R type head stock
- 12 tools hydraulic turret
- STRONG 15" 3-jaw chuck hydraulic hollow chuck
- Gear box (4 steps)
- Spindle speed 2,000 rpm
- 1*hard jaw & 1*soft jaw
- tool holder O.D.
- boring bar holder (50mm) I.D.
- Boring bar bushing (Ø 12, 16, 20, 25, 32,40)×O.D. 50
- Wedge Type Tool Clamps (for OD Tools)
- Taper sleeve (MT3 & MT4) x O.D. 50
- MT5 tailstock Quill
- Coolant system
- Automatic lubrication system
- Programmable tailstock
- Work lamp + End of program indicator (3-color)
- leveling bolts and pads
- Tool Kit
- Fully enclosed splash guarding
- YIDA manuals (operator & maintenance, parts list, electrical drawing)
- Fanuc manuals
- Chain type chip conveyor & chip cart
- 2-year FANUC controller warranty
- 1-year machine parts warranty (Ex-work Factory)
- Linear guide way
- Rigid 45 degree slant bed design
- Class C2 ball screws

ML-850	Standard	C axis
Working range		
Chuck diameter (inch)	Ø 15" (Ø 12")	
Swing over bed / saddle (mm)	Ø 850 / Ø 600	
Distance between centers (mm)	1520	
Max. machining dia. (mm)	Ø720 / Ø600	Ø620 / Ø600
Max. machining length (mm)	720x150 + 600x1270	620x185 + 600x1250
Travels		
X/Z-axis (mm)	380 / 1350	380 / 1322
Spindle		
Spindle speeds (rpm)	40~2000 (4-step gearbox)	
Spindle nose	A2-11 (A2-8)	
Spindle bore dia. / Draw bar dia. (mm)	Ø131 / Ø116 (Ø102 / Ø91)	
Front bearing inner dia. (mm)	Ø180 (Ø150)	
Turret		
Stations	8 (12)	12
Square tool shank	32x32	32x32
Boring bar shank diameter	Ø50	Ø50
Live-tooling BARUFFALDI		
Spindle speeds (rpm)		3200
Tool servo motor (kW)		α8 7.5/11
Feedrate		
X/Z-axis rapid traverse (M/min)	12 / 20	
Programmable tailstock		
Quill diameter / travel (mm)	Ø125 / 160	
Quill bore taper	MT-5	
Motors		
Main spindle (kW)	α22 22/26 (α30 30/37)	
X/Z-axis servo motor (kW)	α22 4.0/α22 4.0	
Accuracy XZ ISO230-2 (97)		
Positioning / repeatability (μ)	±5 / ±4	
General		
Packing (w/conveyor) (cm)	593 x 229 x 255	
Net weight (w/conveyor) (kgs)	11230	11530
Power (KVA)	380-415/220V 30KVA[α22]; 40KVA[α30]	



奕達精機股份有限公司 | 41465台中市烏日區溪南路一段357巷68弄41號

YIDA PRECISION MACHINERY CO., LTD. | Tel : 886-4-2335 8368 | Fax: 886-4-2335 6681

No.41, Aly. 68, Ln. 357, Sec. 1, Xinan Rd., Wuri Dist., Taichung City 41465, Taiwan | Email: info@yidacnc.com



TÜV Rheinland certified